

# INNER GARDENS

*Art for the garden*



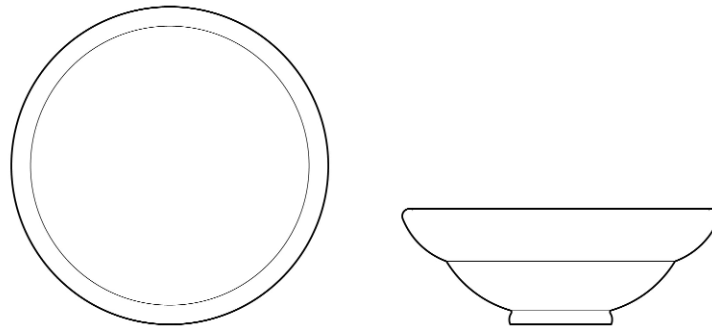
## LOW ROUND BOWL

MLT 51

[WWW.INNERGARDENS.COM](http://WWW.INNERGARDENS.COM)

# INNER GARDENS

*Art for the garden*



## LOW ROUND BOWL

MLT 51

CAST STONE PLANTER

USE: INTERIOR AND EXTERIOR

STANDARD COLOR: NATURAL

HAND FINISHED COLOR. VARIATIONS IN COLOR MAY OCCUR.

### STANDARD SIZE

33" D X 12" H - WEIGHT - 102 LBS

[WWW.INNERGARDENS.COM](http://WWW.INNERGARDENS.COM) / [INFO@INNERGARDENS.COM](mailto:INFO@INNERGARDENS.COM)  
JEFFERSON SHOWROOM - 310.838.8378 / MELROSE SHOWROOM - 310.492.9990

DESIGN IS PROPERTY OF INNER GARDENS