

# INNER GARDENS

*Art for the garden*



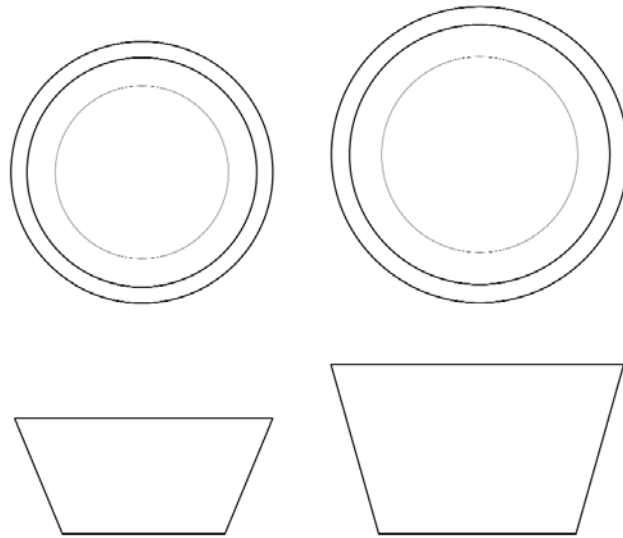
## MODERN TUB PLANTER

MLT 20 / 21

[WWW.INNERGARDENS.COM](http://WWW.INNERGARDENS.COM)

# INNER GARDENS

*Art for the garden*



## MODERN TUB PLANTER

MLT 20 / 21

CAST STONE PLANTER

USE: INTERIOR AND EXTERIOR

STANDARD COLORS: NATURAL / BLACK

HAND FINISHED COLOR. VARIATIONS IN COLOR MAY OCCUR.

### STANDARD SIZES

SMALL - MLT 20 - 34" D X 15" H - WEIGHT - 144 LBS

LARGE - MLT 21 - 38.5" D X 22" H - WEIGHT - 219 LBS

[WWW.INNERGARDENS.COM](http://WWW.INNERGARDENS.COM) / [INFO@INNERGARDENS.COM](mailto:INFO@INNERGARDENS.COM)

JEFFERSON SHOWROOM - 310.838.8378 / MELROSE SHOWROOM - 310.492.9990

DESIGN IS PROPERTY OF INNER GARDENS